

Product Overview

These drivers based on quartz oscillators, produce a fixed stable and accurate RF frequency signal. The built-in amplifier delivers the necessary RF power to drive a water cooled Q-switch or modulator up to 200 W.

The RF output power can be externally modulated with a TTL and analog 0-5 V signal. Different frequency versions are available.

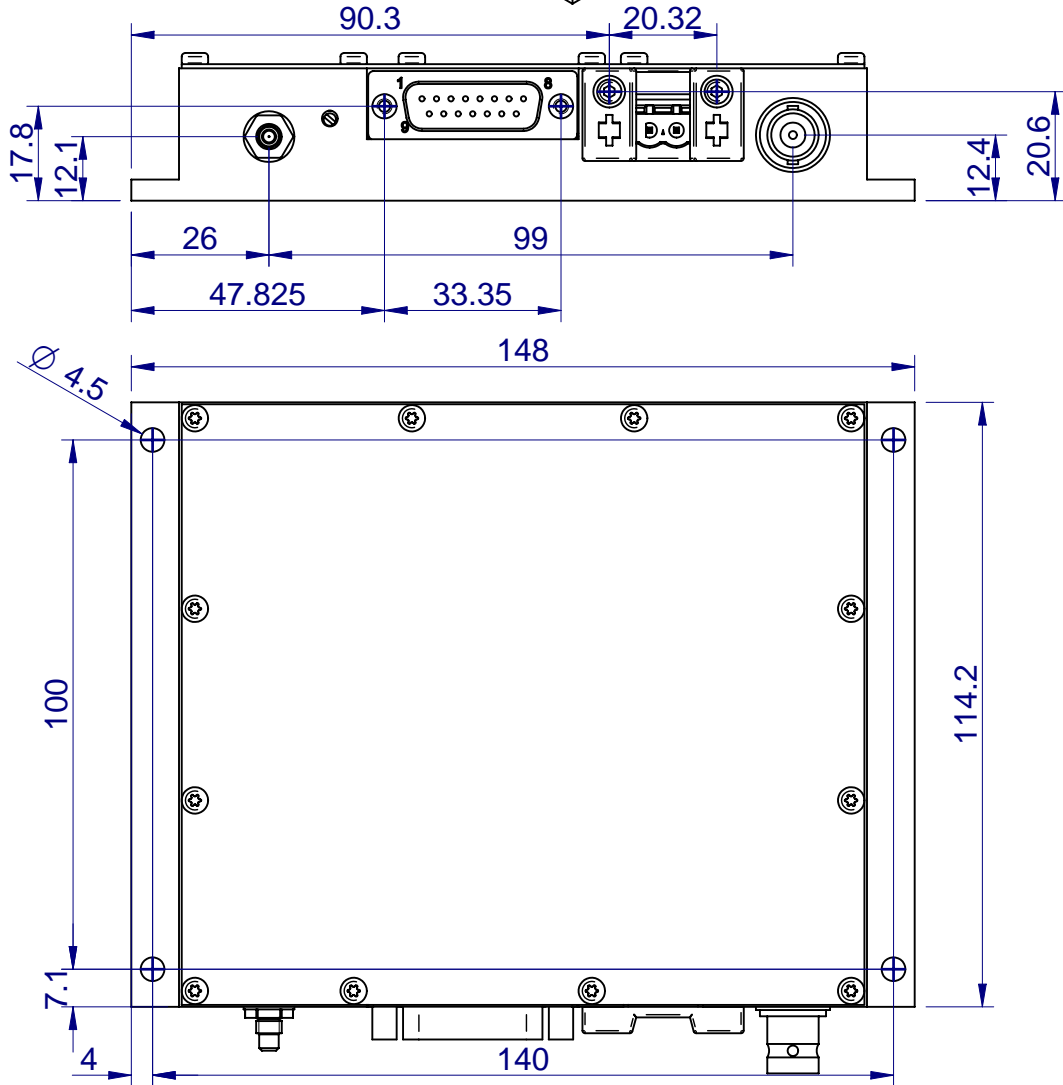
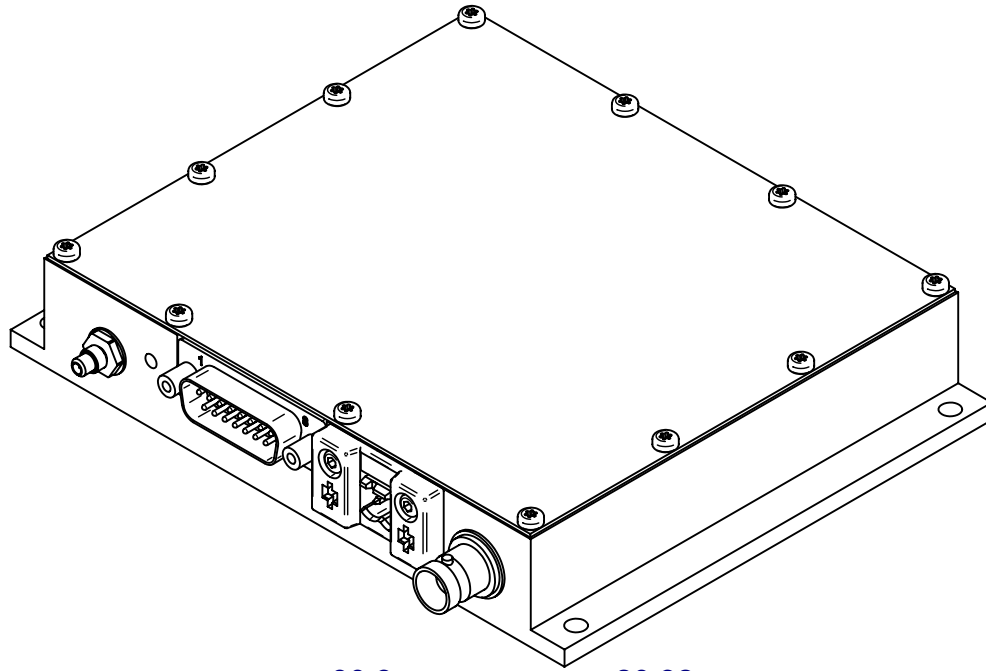


Features

- Fixed frequency 27.12, 40.68, 80 MHz
- RF power up to 200 Watts
- TTL + Analog controls
- Temperature / VSWR controls
- RoHS

	Units	Specifications
Carrier Frequency	MHz	27.12 / 40.68 / 80
Frequency Stability	ppm/°C	Nom +/- 1
Frequency Accuracy	Ppm	< 50
Output RF Power (@1dB compression)	W	> 200
Power Supply OEM version	VDC	48 (Connector MSTB 2 pts 5.08 male ref:0707248)
Digital Control (Pin 3)		TTL Reversed / 1 k Ω Pull down (DPC) (0 = RF ON)
Analog Control (Pin 9)		0-5 V / 10 k Ω , 5V= RF HIGH LEVEL Control (FAC)
Rise Time/Fall time (10-90%)	ns	Nom 50
Class		AB
Output Impedance	Ω	50
VSWR		< 1.5/1
Extinction Ratio	dB	Nom 45
Forwarded Power Measurement (Pin 6)		Analog signal / (Load 1 K Ω)
Returned Power Measurement (Pin 8)		Analog signal / (Load 1 K Ω)
Thermal Security Q-Switch		SMC (protection against overheating)
Thermal Security Driver		Automatic switch off for Tcase>70°C
Thermal Alarm Q-Switch (Pin 5)		TTL Signal
Thermal Alarm Driver (Pin 15)		TTL Signal
Input / Output Connectors		BNC / DB 15 / SMC
Size / Weight		148 x 114 x 27 mm ³ / 635 g
Heat Exchange		Conduction through baseplate for OEM versions
Operating Temperature	°C	10 to 40 (max Tcase 55°C)
Storage Temperature	°C	-40 to +85

Ce document est la propriété de AA-MCS et ne peut être communiqué sans son accord.



Vérif.	Nom:	Cotes après traitement sauf contre indications	Tolérances: ±0.1mm ∠ ±1° √ 3.2μm
Date:	Date:		
Dess.	Nom: COUTHON S.	Titre: Dossier assemblage QMODP1-03 sans Hybride	
Date:	Date: 22/01/2009		
Matière:		Ech:	Page 1/1
Traitement /Finition:			
N° Plan			
1MODQ09002.0055			
Vue d'ensemble			

0	Création	22/01/09	S.C
Ind.	Description	Date	Visa